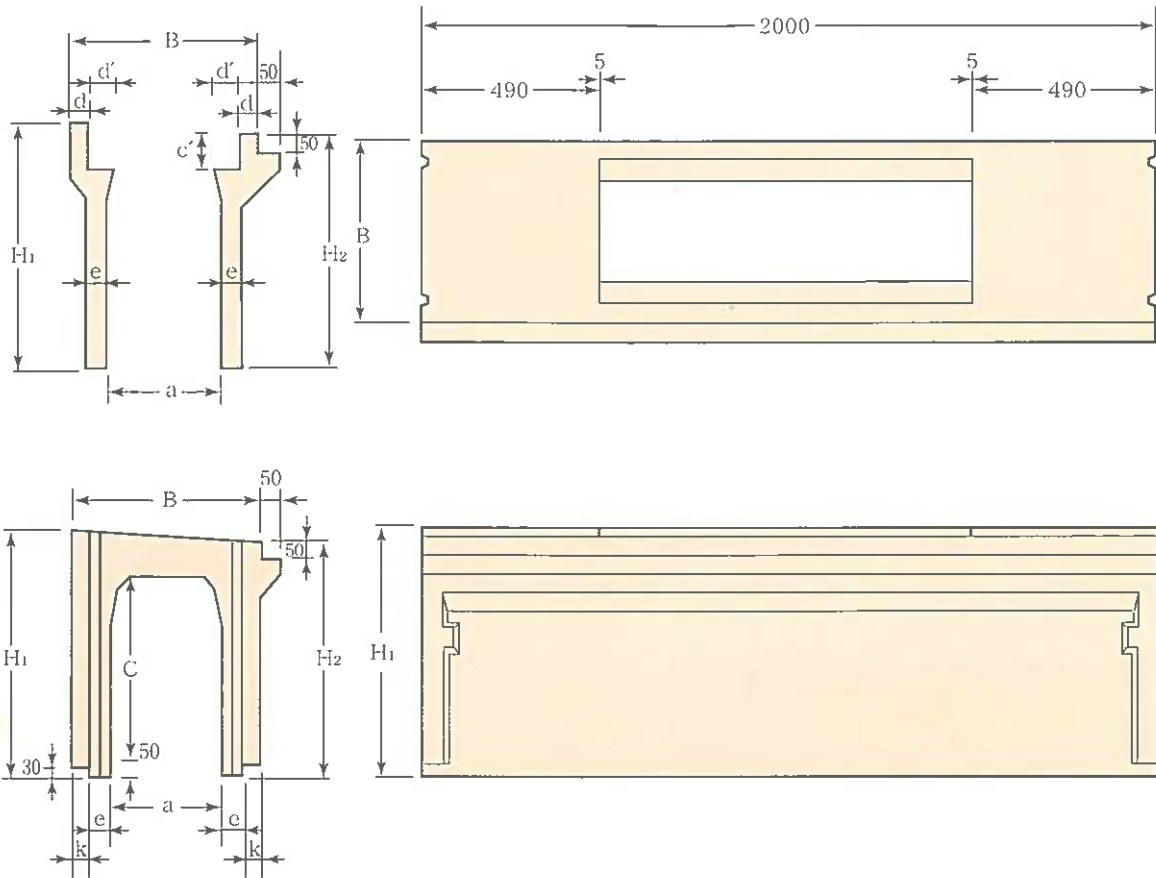


街渠タイプ (A形)

(単位:mm)



自由勾配側溝 街渠形 L=2000

呼び名	寸法									参考重量 (kg)	
	B	H ₁	H ₂	a	c	c'	d	d'	e		k
300 × 300	520	476	445	300	300	95	50	70	60	50	442
× 400		576	545		400						503
× 500		676	645		500						563
× 600		776	745		600						704
× 700		876	845		700						778
× 800		976	945		800						852
× 900		1,076	1,045		900						1,006
× 1,000		1,176	1,145		1,000						1,089
× 1,100		1,276	1,245		1,100						1,172
400 × 400		630	598		560						400
× 500	698		660	500	662						
× 600	798		760	600	781						
× 700	898		860	700	855						
× 800	998		960	800	930						
× 900	1,098		1,060	900	1,125						
× 1,000	1,198		1,160	1,000	1,213						
× 1,100	1,298		1,260	1,100	1,300						
× 1,200	1,398		1,360	1,200	1,388						
500 × 500	740		719	675	500	500	125	60	70	80	
× 600		819	775	600		900					
× 700		919	875	700		978					
× 800		1,019	975	800		1,058					
× 900		1,119	1,075	900		1,217					
× 1,000		1,219	1,175	1,000		1,309					
× 1,100		1,319	1,275	1,100		1,395					